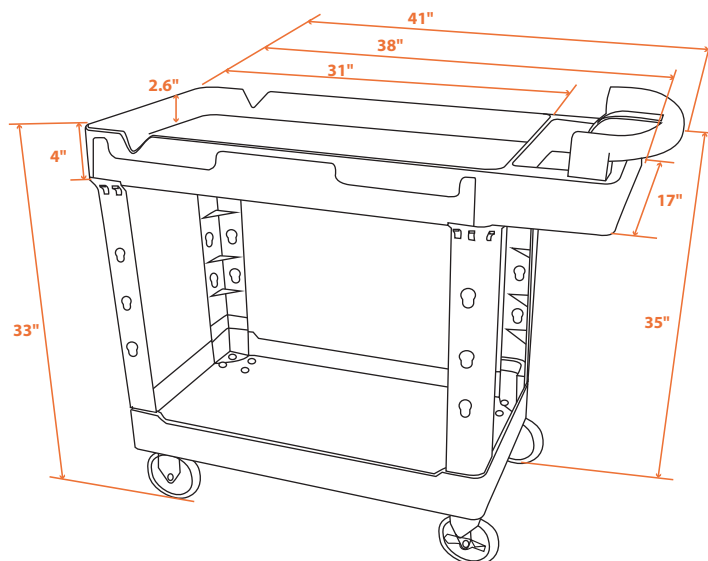


ITEM NO. CART4117EH-C

41" x 17"
SHELF

2-SHELF SERVICE CART

with **V-CUT** & HD Casters



- Cart size: 41"x17"x35", 2.6" deep shelves
- 5" HD non-marking casters (2 fixed and 2 swivel w/ brake)
- V-Cut securely holds materials for accurate measuring or cutting
- Tough polypropylene structural foam construction
- Ergonomic handle for comfort and ease of use

Load Capacity:	500 LB
Item Size:	41"L x 17"W x 35"H
Item Weight:	33 LB
Shelf Depth:	2.6"
Shelf Quantity:	2
UPC:	782156065996