

Need Help?
1-888-443-8889



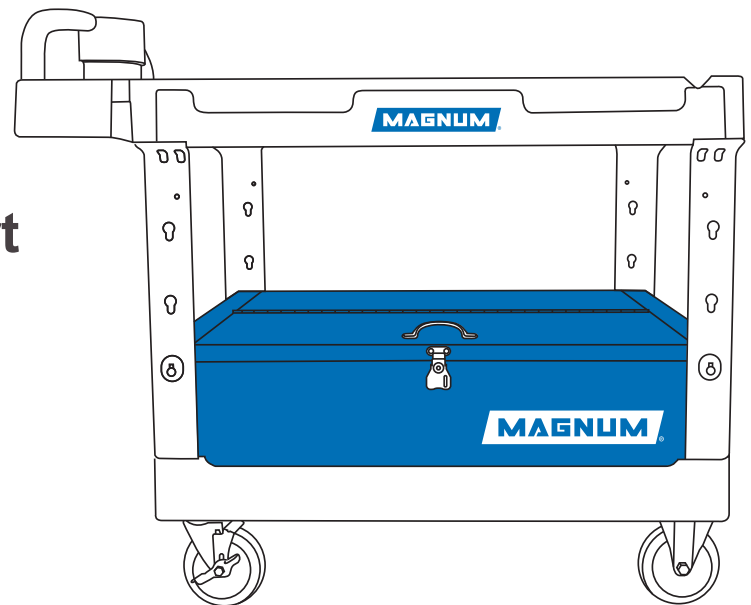
MAGNUM®

VAULT

MOBILE SERVICE CART SECURITY TOOL BOX

CART4426-BS

**Magnum Vault Service Cart
Security Tool Box (Large)
(for 4426 Series Carts)**



Patent Pending

INSTALLATION INSTRUCTIONS

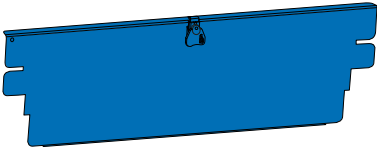
PLEASE READ INSTRUCTIONS AND WARNINGS BEFORE USE.



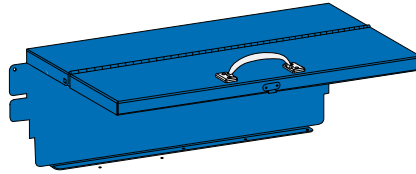
Magnum Tool Corp., Inc. offers a one-year limited warranty on the Magnum Vault against manufacturing defects from the date of purchase. Excluded from all warranties are inbound freight or freight losses. At its own discretion, Magnum Tool Corp., Inc. will replace or repair the Vault and return it within a reasonable time. This warranty does not cover consequential damages, incidental damages, or damages to persons or property connected to the use of the Vault. Returns are not accepted without a valid Return Merchandise Authorization (RMA) Number issued by Magnum Tool Corp., Inc. Please call 1-888-443-8889 to request an RMA Number prior to sending back the product.

PACKAGING CONTENTS

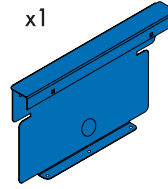
Front Panel x1



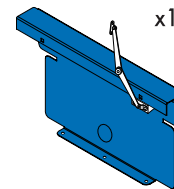
Back Panel w/ Lid x1



Side Panel A
x1



Side Panel B (w/Brace)
x1



M5 Nut x2



M5 Screw x2



10mm Wrench x1



Plastic Insert x8



Carriage Bolt x10
M6x25mm



Flange Nut x10
M6



Screw x16
M3.9x13mm



2-Piece Plastic Grommets for Electrical Pass-through x2



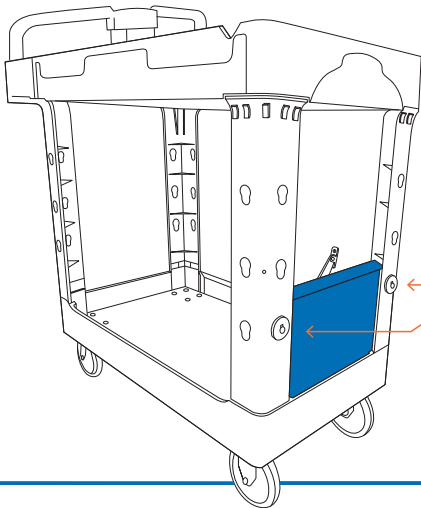
ASSEMBLY INSTRUCTIONS

Installing the Tool Box is much easier when the top tray of the Service Cart is removed. When assembling a new

Helpful Tip: Service Cart and Tool Box, install the top tray last. When installing the Tool Box on an existing cart, remove the top tray first.

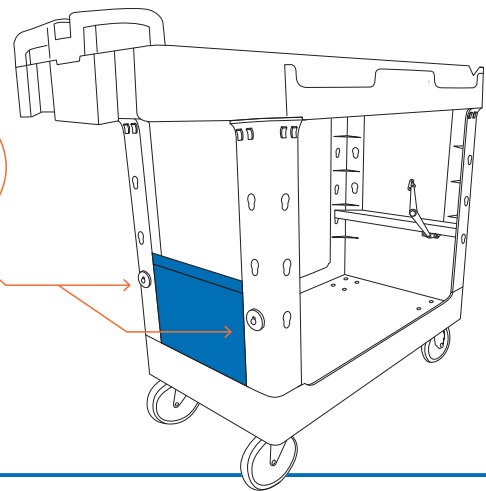
1

Align **Side Panel B (w/ Brace)** to the bottom of the cart and secure the **Plastic Insert** with **Carriage Bolt** and **Flange Nut** as illustrated.



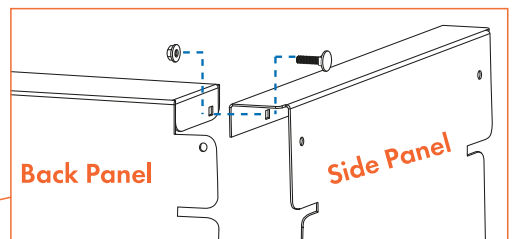
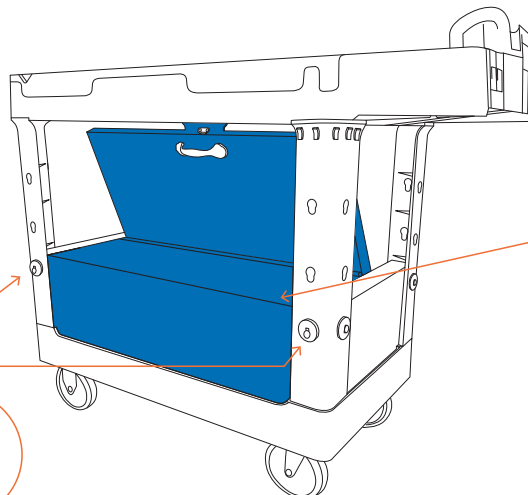
2

Repeat **Step 1** on the other side of the cart to secure the **Side Panel A**.



3

Slide the **Back Panel** in at an angle and gently push into place. Secure **Plastic Insert** with **Carriage Bolt** and **Flange Nut** as shown in previous steps.

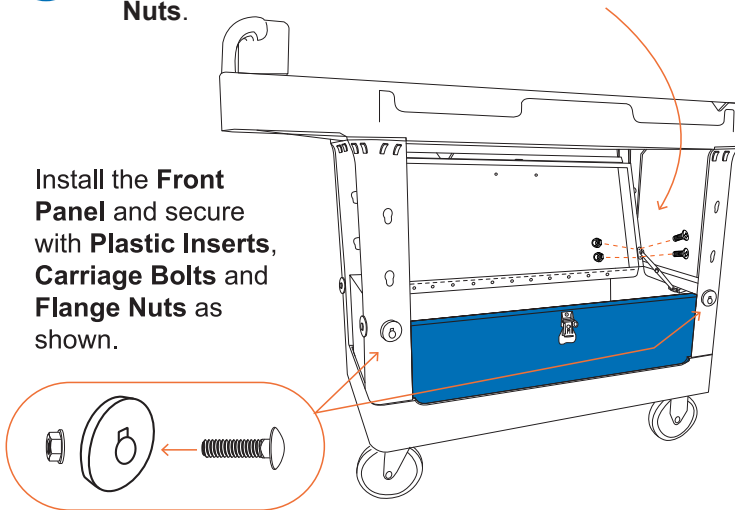


Secure **Back Panel** to both **Side Panels (A and B)** from inside the Tool Box with **Carriage Bolts** and **Flange Nuts**.

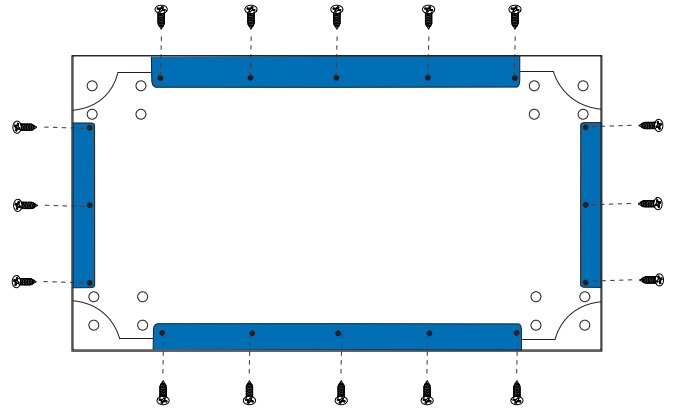
Need Help?
1-888-443-8889

4 Locate the **Brace on Side Panel B** and secure to **Back Panel w/ Lid** using two **M5 Screws** and two **M5 Nuts**.

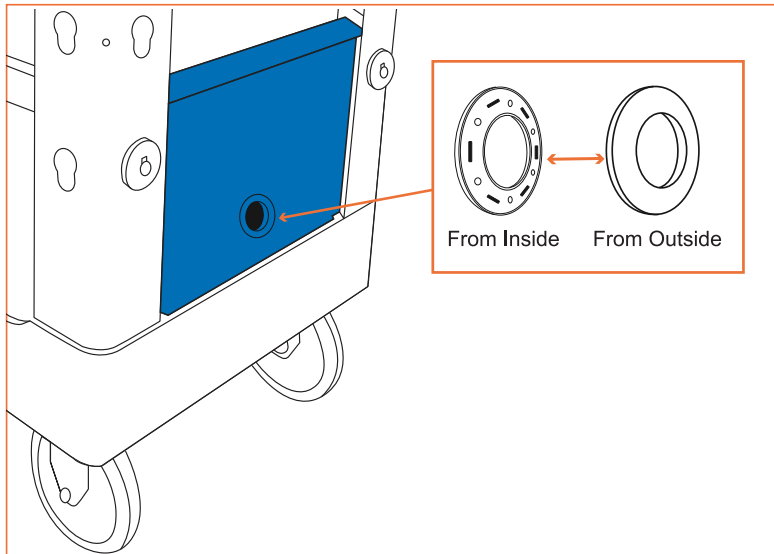
Install the **Front Panel** and secure with **Plastic Inserts, Carriage Bolts** and **Flange Nuts** as shown.



5 From inside the Tool Box, secure the bottom of all **Panels** to the Service Cart with sixteen **M3.9 Screws**.



6 If using optional knockout **Electrical Pass-through**, make sure to remove plate(s) first, then securely install the **2-Piece Plastic Grommets** onto the hole. One piece from inside and the other piece from outside - snapping together as illustrated below.



! WARNING

Read, understand and follow all instructions and safety rules before use. Failure to do so could result in injury.

! CAUTION

Never store flammables or any hazardous materials inside the Tool Box, Tool Box Lid should be secured when not in use, including transporting.

NOTICE

Magnum Tool Corp., Inc. is not responsible for any incidences or injuries to persons or property resulting from any unintended use of this product.



Magnum Tool Corp, Inc.
5600 Bonhomme Rd Suite B
Houston, TX 77036
+1 (888) 443-8889

MAGNUM®

GENUINE ACCESSORIES

MAXIMUM PERFORMANCE



SERVICE CART ACCESSORIES



CASU5-F-HD
Heavy-Duty
Fixed Caster



CASU5-BR-HD
Heavy-Duty Swivel
Caster w/ Brake



CARTA-AH
Heavy-Duty Caster Kit w/ 4
Casters (2 Swivel w/ Brake & 2 Fixed)



CARTA-22
Tool Hook



CARTA-22H
Tool Hook w/ Hole



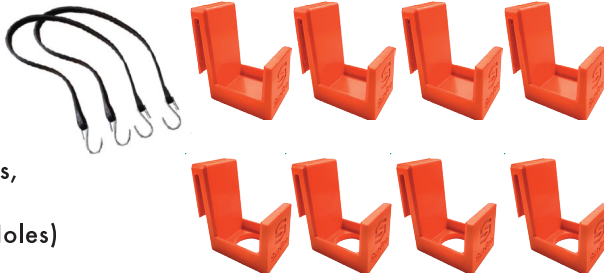
CARTA-L
Service Cart Ladder Hook Kit
(2 EPDM Tie-Downs, 1 Tool Hook &
1 Tool Hook w/ Hole)



CARTA-TP
Service Cart Tool & Pole Hook Kit
(2 Tool Hooks & 2 Tool
Hooks w/ Hole)

CARTA-TPL

Service Cart Tool,
Pole & Ladder
Hook Kit
(2 EPDM Tie-Downs,
4 Tool Hooks &
4 Tool Hooks w/ Holes)



OUT3USB
3-Outlet Power Strip
w/ 2 USB & 9' Cord